

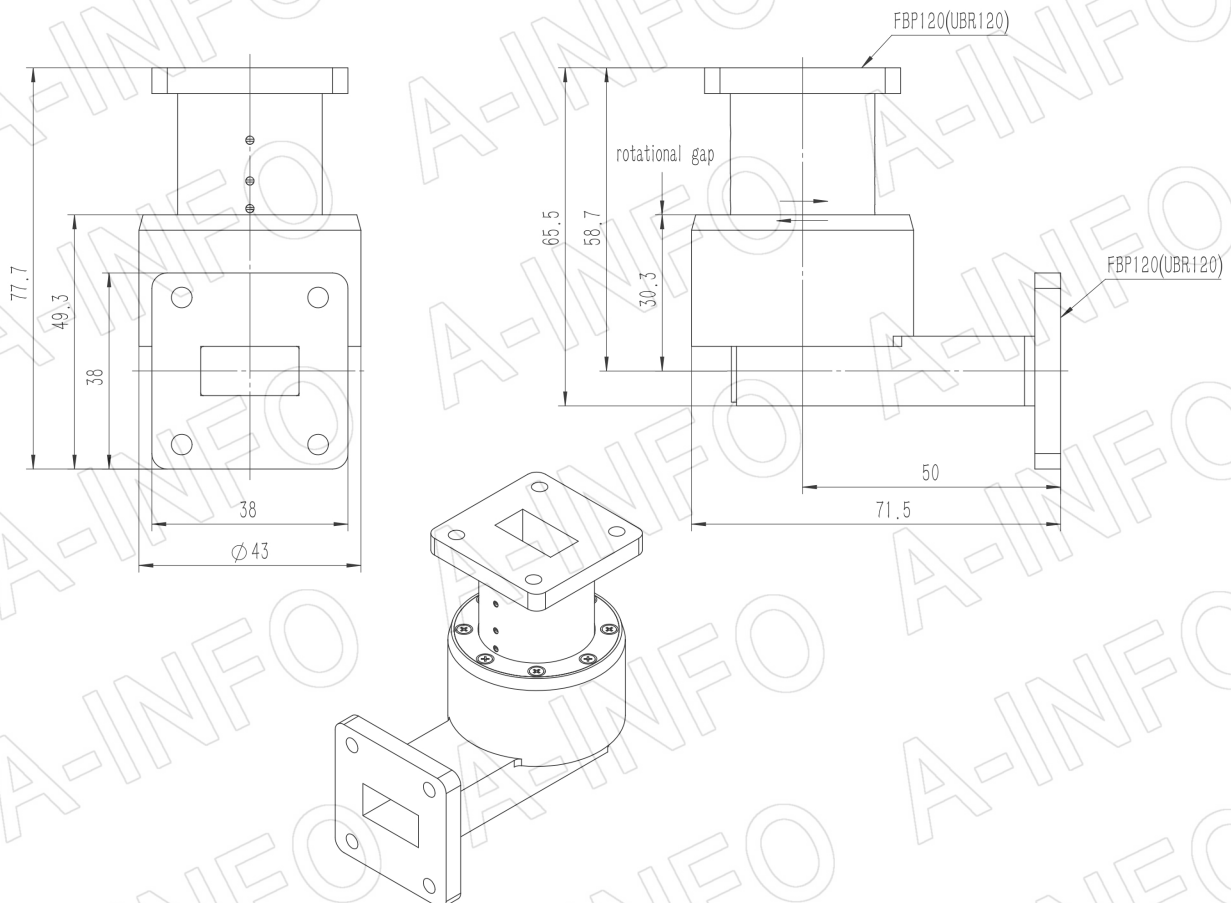
For reference only. See data sheet for the detailed specifications.

Technical Specification

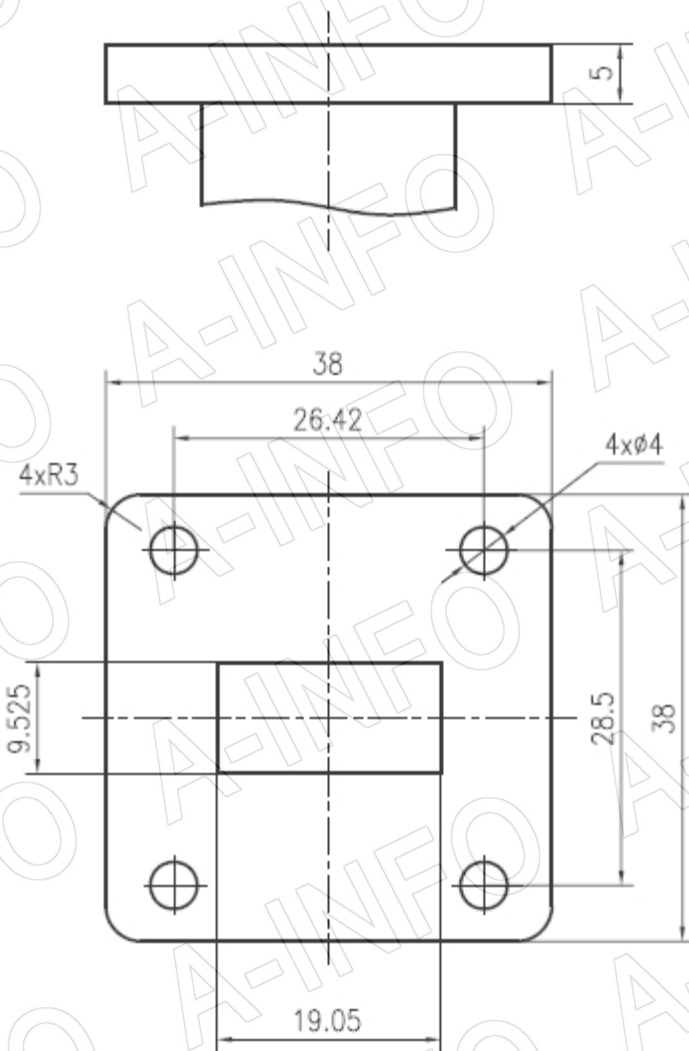


Waveguide	WR75
Frequency Range(GHz)	12.0-15.0
Insertion Loss(dB)	0.3 Max.
VSWR	1.35:1 Max.
Average Power(W)	750
Peak Power(KW)	5
Flange	FBP120(UBR120)
Material	Al
Finish	
Size(mm)	71.5 x 77.7 x 43
Net Weight(Kg)	0.2 Around

Outline Drawing (Size: mm)



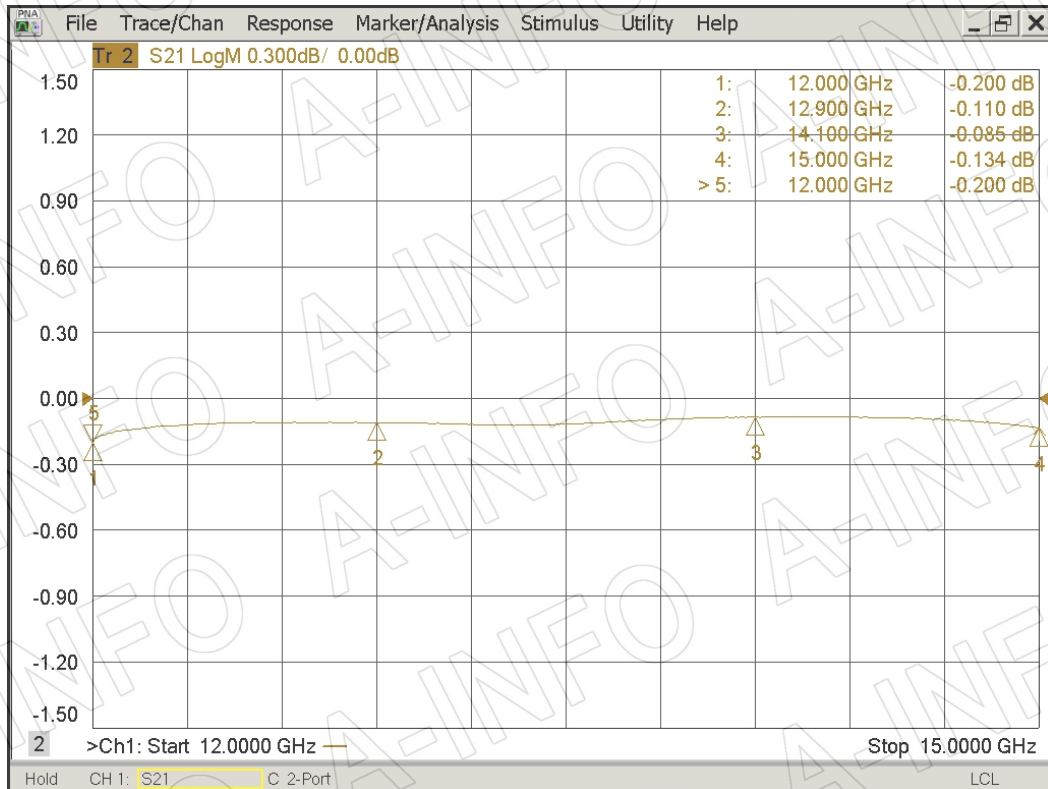
Flange Drawing (Size: mm)



FBP120

Test Results

I.L.



VSWR

